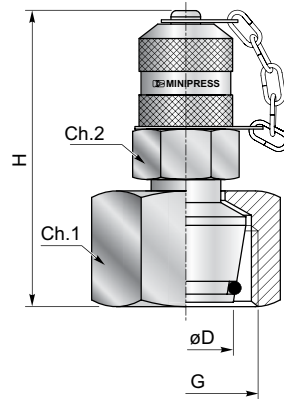




Minipresa tipo DKO codolo conico 24° con O-Ring

Test coupling with 24° O-Ring sealing cone DKO type



Serie / Series	D	G	H	Ch 1	Ch 2	PN [bar]	Codice/Ref.	Codice/Ref.	Codice/Ref.
							M16x2*	M16x1.5	S12.65x1.5
L	6	M 12x1.5	53	14	17	250	S11012X15C	S11012X15150C	S11012X15120C
	8	M 14x1.5	55	17	17	250	S11014X15C	S11014X15150C	S11014X15120C
	10	M 16x1.5	55.5	19	19	250	S11016X15C	S11016X15150C	S11016X15120C
	12	M 18x1.5	56.5	22	19	250	S11018X15C	S11018X15150C	S11018X15120C
	15	M 22x1.5	59	27	22	250	S11022X15C	S11022X15150C	S11022X15120C
	18	M 26x1.5	59	32	22	160	S11026X15C	S11026X15150C	S11026X15120C
	22	M 30x2	59	36	27	160	S11030X20C	S11030X20150C	S11030X20120C
	28	M 36x2	60	41	17	100	S11035X20C	S11035X20150C	S11035X20120C
	35	M 45x2	62	50	17	100	S11045X20C	S11045X20150C	S11045X20120C
42	M 52x2	65	60	17	100	S11052X20C	S11052X20150C	S11052X20120C	
S	6	M 14x1.5	54	17	17	630	S11114X15C	S11114X15150C	S11114X15120C
	8	M 16x1.5	56	19	17	630	S11116X15C	S11116X15150C	S11116X15120C
	10	M 18x1.5	56.5	22	19	630	S11118X15C	S11118X15150C	S11118X15120C
	12	M 20x1.5	58	24	19	630	S11120X15C	S11120X15150C	S11120X15120C
	14	M 22x1.5	59	27	17	400	S11122X15C	S11122X15150C	S11122X15120C
	16	M 24x1.5	56	30	22	400	S11124X15C	S11124X15150C	S11124X15120C
	20	M 30x2	57	36	27	400	S11130X20C	S11130X20150C	S11130X20120C
	25	M 36x2	65	46	17	400	S11136X20C	S11136X20150C	S11136X20120C
	30	M 42x2	65	50	17	250	S11142X20C	S11142X20150C	S11142X20120C
38	M 52x2	65	60	17	250	S11152X20C	S11152X20150C	S11152X20120C	

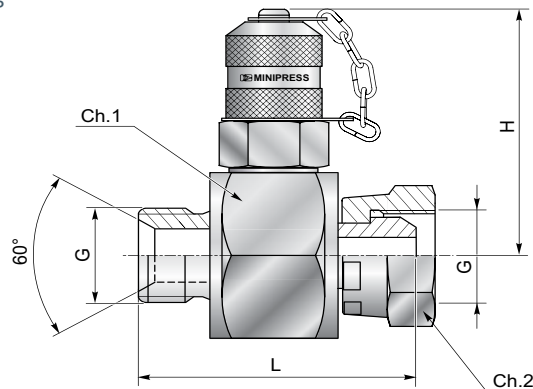
*Versione M16x2 disponibile in INOX / M16x2 version available in Stainless Steel

Opzioni/Options



Minipresa di pressione con giunzione diritta 60°

Check coupling male - female swivel 60°



G	H	L	Ch 1	Ch 2	PN bar	Codice/Ref.	Codice/Ref.	Codice/Ref.
						M16x2*	M16x1.5	S12.65x1.5
ISO 228 G1/4"	55	53	32	19	400	S11914G00C	S11914150C	S11914120C
ISO 228 G3/8"	55	60	32	22	400	S11938G00C	S11938150C	S11938120C
ISO 228 G1/2"	55	60	32	27	400	S11912G00C	S11912150C	S11912120C
ISO 228 G3/4"	55	68	32	32	400	S11934G00C	S11934150C	S11934120C
ISO 228 G1"	60	74	41	41	315	S11901G00C	S11901150C	S11901120C

*Versione M16x2 disponibile in INOX / M16x2 version available in Stainless Steel

Opzioni/Options

